

MixRite DOSING PUMPS

2.5 m³/h

MixRite 2.5 Series | Low Flow Rate

Available options

Manual ON/OFF Hydraulic ON/OFF Electric ON/OFF



Technical Information

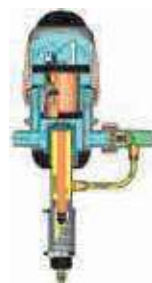
Water pressure | 0.2 - 8 bar (2.9 - 120 psi)
 Flow Rate | 7 - 2500 l/h (1.85 - 660) gal/h
 Working temp | 4-40° C (39.2-104° F)
 Coupling | 3/4"



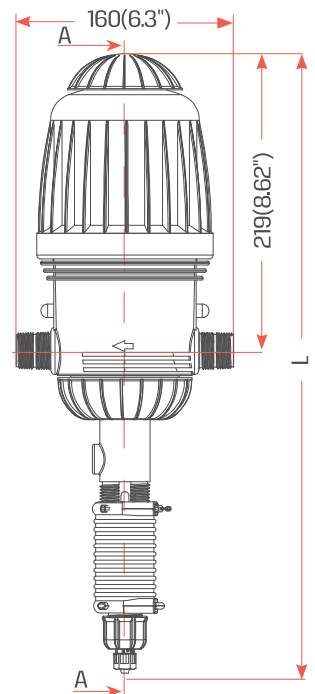
By Pass models



Internal bypass
*Yellow sleeve



External bypass
*Yellow sleeve



		L (Height)	
		On/Off	Air Release
Max.		528 (20.7")	496 (19.5")
Min.		497 (19.5")	457 (17.9")

Application Color Code

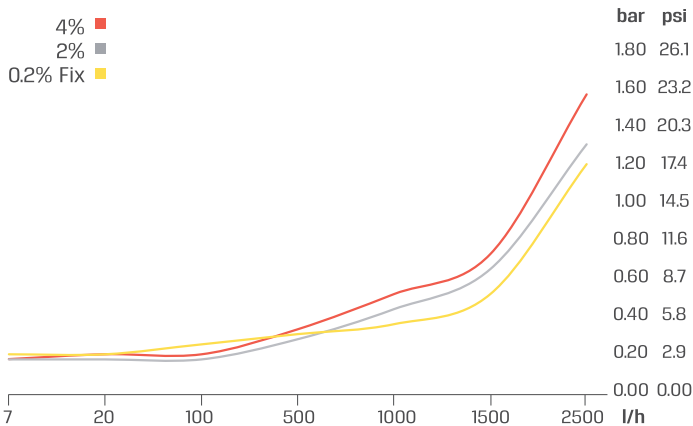
Application	Sleeve Color	TEFEN Code	Seal Material	Spring Material
Irrigation	Grey	STD	NBR	SST
Livestock	Red	PO	NBR, EPDM	SST, Hastelloy
Acids	White	PVDF	AFLAS	Hastelloy
Chlorine	Purple	CL	Viton	Hastelloy
Industry	Black	C	EPDM, AFLAS	SST, Hastelloy
Car Wash	Blue	CW	AFLAS	SST, Hastelloy
Landscaping	Green	STD	NBR	SST
By-Pass	Yellow	I / B	EPDM, AFLAS	SST, Hastelloy



Application Range

Dosage Rate %	Flow Rate Range	Pressure Range	Connectors Dia. Thread	Min-Max Injection Rate Per Hour	Applications	Gross weight std unit
0.2% fix	7 - 2500 l/h	0.2 - 8 bar	3/4" BSPT	0.014 - 5 l/h	Landscaping	1.4 KG
0.8% fix	7 - 2500 l/h	0.2 - 8 bar	3/4" BSPT	0.056 - 20 l/h	Landscaping / Irrigation / Livestock	1.5 KG
1% fix	7 - 2500 l/h	0.2 - 8 bar	3/4" BSPT	0.07 - 25 l/h	Landscaping / Irrigation / Livestock	1.8 KG
2% fix	7 - 2500 l/h	0.2 - 8 bar	3/4" BSPT	0.14 - 50 l/h	Acid	2.7 KG
0.1% - 0.9%	7 - 2500 l/h	0.2 - 8 bar	3/4" BSPT	0.007 - 22.5 l/h	Irrigation / Livestock / Chlorine / Car Wash / Acid	1.8 KG
0.3% - 2%	7 - 2500 l/h	0.2 - 8 bar	3/4" BSPT	0.021 - 50 l/h	Irrigation/Livestock / Chlorine / Car Wash / Industry / Acid	1.8 KG
0.4% - 4%	7 - 2500 l/h	0.2 - 8 bar	3/4" BSPT	0.028 - 100 l/h	Irrigation/Livestock / Chlorine / Car Wash / Industry / Acid	1.8 KG
0.3% - 2% bypass	20 - 2500 l/h	0.2 - 8 bar	3/4" BSPT	0.06 - 50 l/h	Irrigation / Livestock / Chlorine / Acid	1.9 KG
0.4% - 4% bypass	20 - 2500 l/h	0.2 - 8 bar	3/4" BSPT	0.08 - 100 l/h	Irrigation / Livestock / Chlorine / Acid	1.9 KG
0.3% - 2% Internal bypass	20 - 2500 l/h	0.2 - 8 bar	3/4" BSPT	0.06 - 50 l/h	Irrigation / Livestock / Chlorine / Acid	1.9 KG
0.4% - 4% Internal bypass	20 - 2500 l/h	0.2 - 8 bar	3/4" BSPT	0.08 - 100 l/h	Irrigation / Livestock / Chlorine / Acid	1.9 KG

Pressure Loss



Max. injection rate/h

