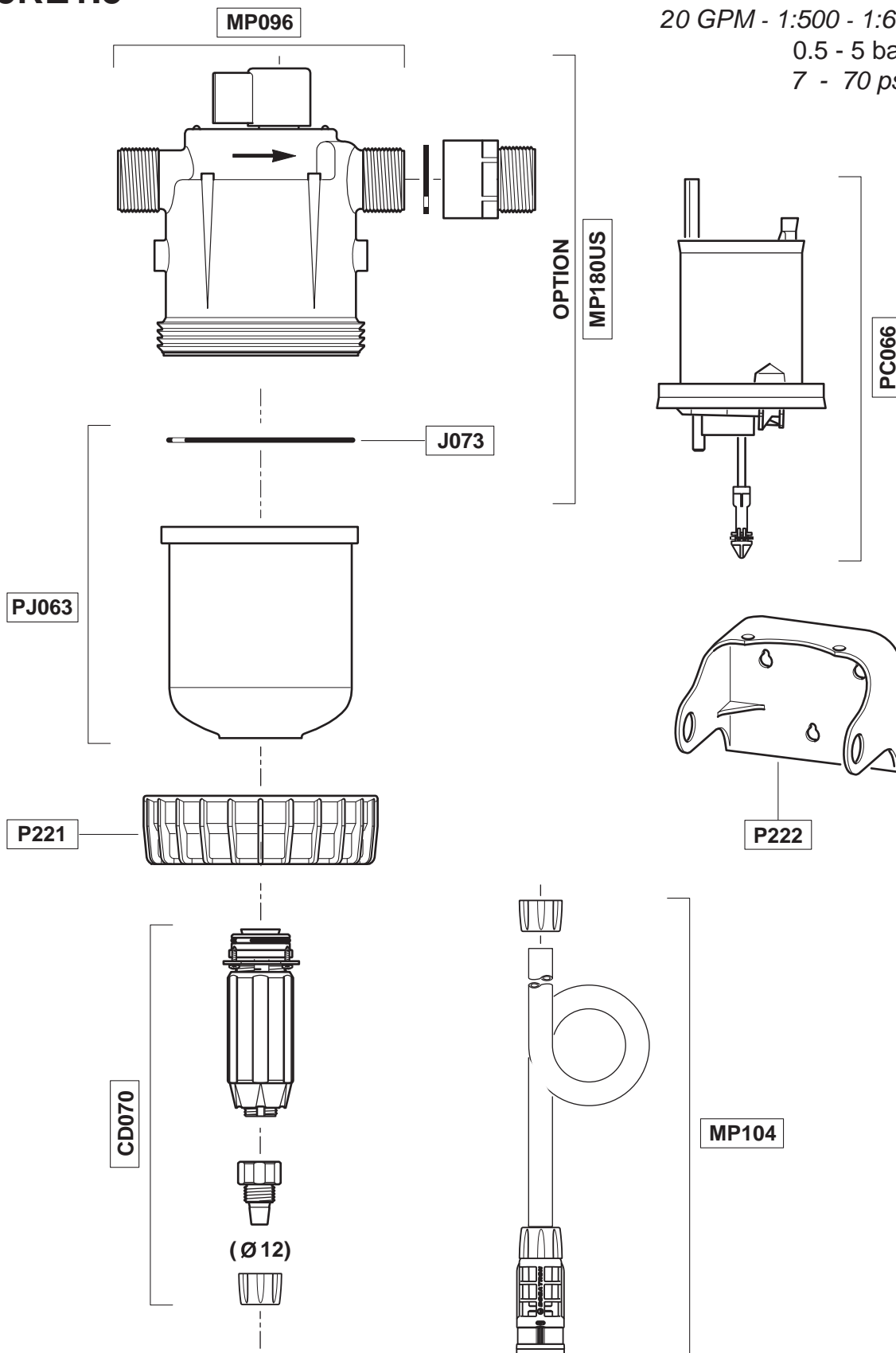


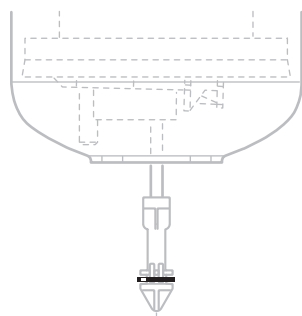
# D45RE1.5

4.5 m<sup>3</sup>/h - 0.2 - 1.5%  
 20 GPM - 1:500 - 1:67  
 0.5 - 5 bar  
 7 - 70 psi

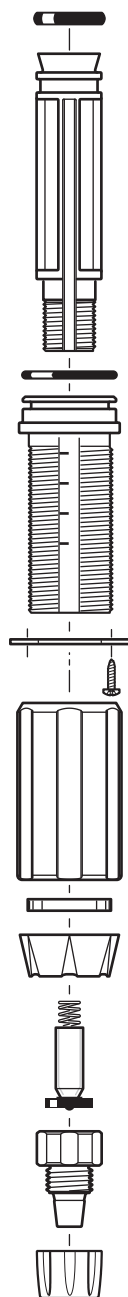


# D45RE1.5

4.5 m<sup>3</sup>/h - 0.2 - 1.5%  
20 GPM - 1:500 - 1:67  
0.5 - 5 bar  
7 - 70 psi



CD070



PJ096

