

PVC-U Single union ball valves SV

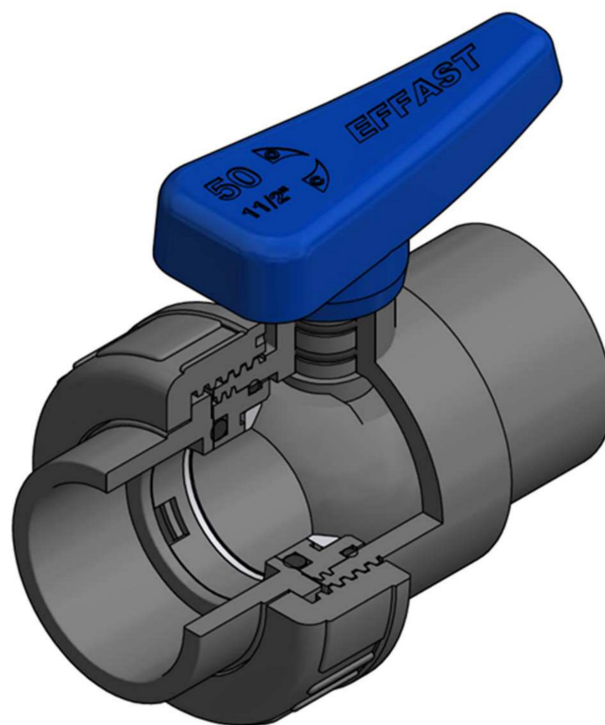
PVC-U Valvole a sfera monoghiera SV

Rev. Sep 2020

SV valve is a PVC-U single union ball valve, ideal for applications in the field of agriculture, swimming pools, light water treatment and non-critical chemicals.

La valvola SV è una valvola a sfera monoghiera in PVC-U, ideale per applicazioni in agricoltura, piscine, trattamento delle acque e prodotti chimici non critici.

- Full bore ball locked in place on both sides.
Sfera di tipo flottante a passaggio totale e bloccata da entrambi i lati.
- Machined ball to ensure the best sealing.
Sfera lavorata per garantire la miglior tenuta.
- Sealing adjustment and disassembling by key incorporated on the handle.
Possibilità di regolazione del supporto guarnizioni tramite la chiave incorporata nella maniglia.
- PVC-U compound fit for contact with potable water according to European, UK and USA regulations.
PVC-U idoneo al contatto con acqua potabile secondo le normative in vigore in Europa, UK, e USA.
- Marine Application approval.
Certificata per applicazioni navali.
- Compliant with the requirements of Pressure Equipment Directive 2014/68/EU, Annex III, Module A2.
Conforme ai requisiti della Direttiva Europea 2014/68/EU sulle attrezzature in pressione, Allegato III, Modulo A2.



TECHNICAL FEATURES / CARATTERISTICHE TECNICHE

NOMINAL PRESSURE / PRESSIONE NOMINALE	PN 16 (20°C)
DIMENSIONS / DIMENSIONI	DN 15 ÷ DN 100 (d.20 ÷ 110 mm – 1/2" ÷ 4")
VALVE MATERIAL / MATERIALE VALVOLA	PVC-U
SEALS MATERIAL / MATERIALE GUARNIZIONI	O-rings: EPDM / O-ring: EPDM Ball seats: PE / Tenute della sfera: PE
TEMPERATURE RANGE / TEMPERATURA	0°C ÷ 60°C
COUPLING STANDARDS / GIUNZIONI	Solvent welded sockets: metric, BS / Manicotti incollaggio: metrici, BS BSPP threaded sockets / Manicotti filettati femmina BSPP BSPP threaded socket - spigot end / Manicotto filettato BSPP femmina - estremità filettata maschio BSPP threaded socket - compression joint / Manicotto filettato BSPP femmina - giunto a compressione
CONTROL OPTIONS / OPZIONI DI COMANDO	Hand-operated / Manuale



Certifications and approvals: only for items declared on Official Listing or certificates. / Certificazioni: solo per gli articoli dichiarati nelle Official Listing o nei certificati stessi.

Polypipe Italia

Loc. Pianmercato 5C-5D-5H, 16044 Cicagna (GE), Italy
Tel: +39 0185 92399 E-mail: support@effast.com

www.effast.com

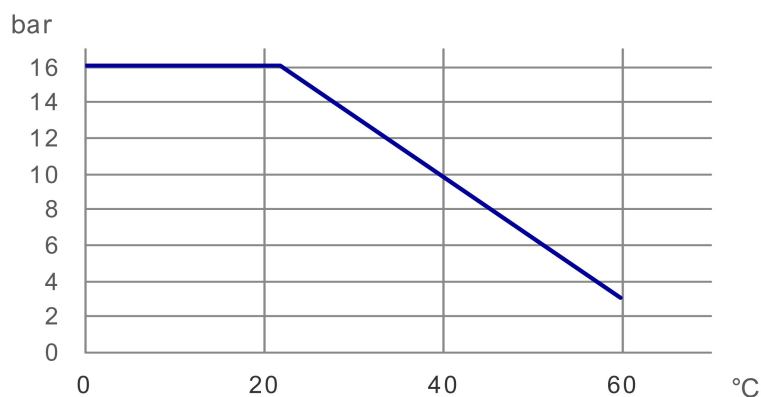
EFFAST

PVC-U Single union ball valves SV PVC-U Valvole a sfera monoghiera SV

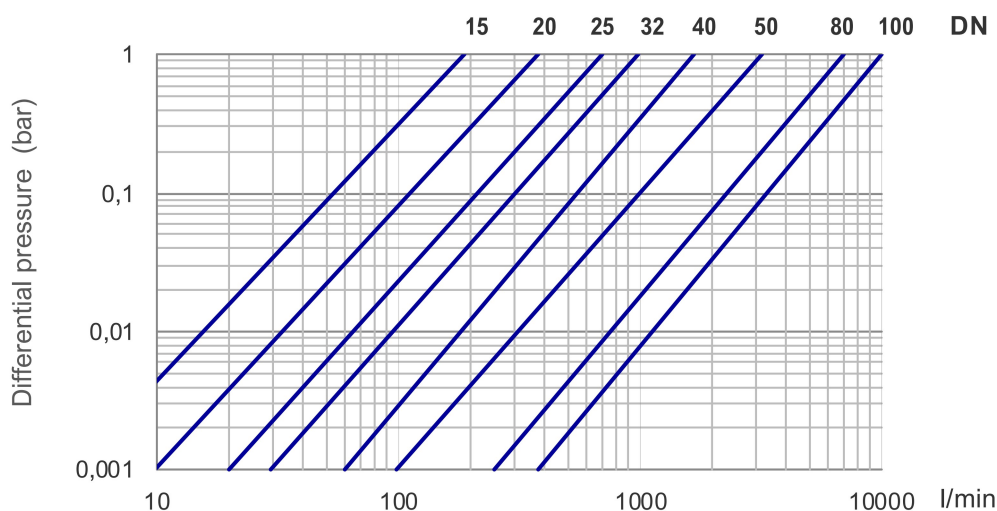
Operating pressure / Pressione di esercizio

Maximum operating pressure for PVC-U: according to temperature as shown in graph.

Massima pressione di esercizio per il PVC-U: secondo quanto indicato nel grafico in figura.



Pressure loss / Perdite di carico



Flow rate coefficient Kv100 / Coefficiente di flusso Kv100

At $\Delta p = 1$ bar / Per $\Delta p = 1$ bar

DN	DN 15	DN 20	DN 25	DN 32	DN 40	DN 50	DN 80	DN 100
l/min	190	380	700	1000	1700	3200	7000	10000

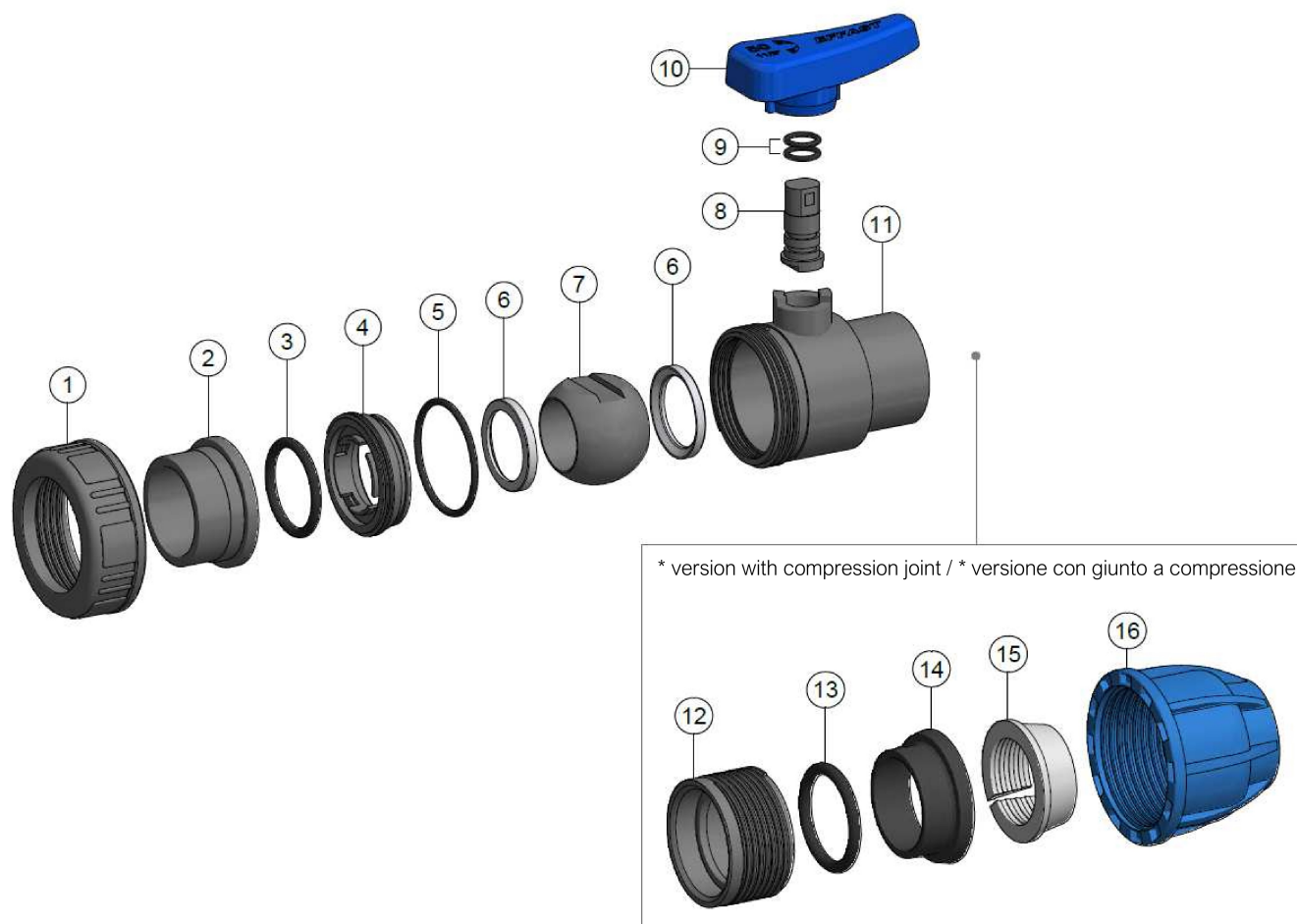
Torque force at maximum pressure rate / Coppia di chiusura alla massima pressione

DN	DN 15	DN 20	DN 25	DN 32	DN 40	DN 50	DN 80	DN 100
Nm	1.5	2	3	5	7	10	24	30

PVC-U Single union ball valves SV

PVC-U Valvole a sfera monoghiera SV

Components / Componenti



* version with compression joint / * versione con giunto a compressione

n.	COMPONENT	MATERIAL	Qty
1	Nut / Ghiera	PVC-U	1
2	Socket / Manicotto	PVC-U	1
3	Socket O-ring / O-ring manicotto	EPDM	1
4	Gasket carrier / Supporto guarnizioni	PVC-U	1
5	Body O-ring / O-ring corpo	EPDM	1
6	Ball seat / Tenuta sfera	PE	2
7	Ball / Sfera	PVC-U	1
8	Stem / Asta	PVC-U	1

n.	COMPONENT	MATERIAL	Qty
9	Stem O-ring / O-ring asta	EPDM	2
10	Handle / Maniglia	PVC-U	1
11	Body / Corpo	PVC-U	1
12*	Adaptor / Adattatore	PVC-U	1
13*	Joint O-ring / O-ring giunto	NBR	1
14*	Blocking bush / Bussola di bloccaggio	PP	1
15*	Clinching ring / Anello di graffaggio	POM	1
16*	Joint nut / Ghiera giunto	PP	1

All descriptions and illustrations in this publication are intended for guidance only and shall not constitute a 'sale by description'. All dimensions given are nominal, while changes can be done on the information, products and specifications from time to time for a variety of reasons, without prior notice. The information in this publication is provided 'as is' on the revision date stated on the sheet. Updates will not be issued automatically. This information is not intended to have any legal effect, whether by way of advice, representation or warranty (express or implied). We accept no liability whatsoever (to the extent permitted by law) if you place any reliance on this publication you must do so at your own risk. All rights reserved. Copyright in this publication belongs to Polypipe Italia and all such copyright may not be used, sold, copied or reproduced in whole or part in any manner in any media to any person without prior consent. **EFFAST** is a registered trademark."