



RN 155 PLUS

Electric valves

DESCRIPTION

Rain RN155 PLUS is the family of electric valves for professional landscape applications. Versatile, with very low loss of charge is the reliable hearth of an advanced irrigation system.

The easy manual opening integrated in the valve body, the flow control to adjust your system to the flow availability and the strong body are some of the features that make this electric valves leader in the market.

TECHNICAL INFORMATION

PA 6 30% fiberglass

- Single-piece diaphragm for reliable leak-free valve closing
- Self cleaning stainless-steel metering pin
- Stainless-steel diaphragm differential spring for smooth closing
- Solenoid certificate CE, IP 68 9 PN12 tested piece by piece at 14 bar
- Bleed handle for manual opening with internal bleed
- Energy efficient solenoid 0,2 amp, 4,8 VAC
- Standard solenoid: 24 VAC
- Available solenoid 12 VDC; 24 VDC; 110 VAC; 9 (6-40) VDC Latching
- Flow Control
- RN155 PLUS valves are also available in NPT thread for all the american and latin-american markets

OPERATING CONDITIONS

- Pressure: min 1.0 bar - max 12.0 bar
- Temperature: +4° C/70° C
- Flow rate: from 35 l/min to 90 l/min

1. SINGLE PIECE CO-INJECTED DIAPHRAGM



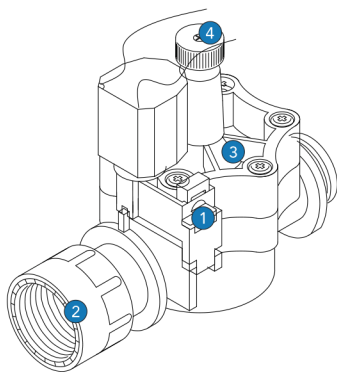
3. BLEED HANDLE FOR MANUAL OPENING INTEGRATED IN VALVE BODY



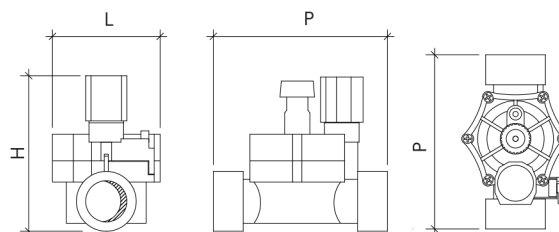
2. THREADS AVAILABLE: MALE, FEMALE, UNION



4. FLOW CONTROL ADJUSTMENT HANDLE AVAILABLE



Code	Models
100.1560711	RN 155 PLUS 3/4" M
100.1560911	RN 155 PLUS 1" M
100.1580911	RN 155 PLUS 1" F
100.1560916	RN 155 PLUS 1" MxU



RN 155 - LOSS OF CHARGE (in bar)

	3/4"	1"	1" MxU
30 l/min	0.30	0.25	0.35
45 l/min	0.30	0.25	0.35
60 l/min	0.30	0.25	0.35
75 l/min	0.30	0.25	0.35
90 l/min	0.37	0.28	0.42
105 l/min	0.42	0.32	0.47
120 l/min	0.52	0.35	0.57
135 l/min	0.62	0.40	0.67
150 l/min	0.75	0.47	0.80

RN 155 - DIMENSIONS (in cm)

	3/4" M	1" M	1" F	1" M x U
H	11.5	11.5	11.5	11.5
P	13.1	13.1	13.1	13.9
L	8.1	8.1	8.1	8.1

